

LP-10R

LP-10R Series

10.4" TFT LCD panel

Desktop, Wall-mounting, optional for Touch

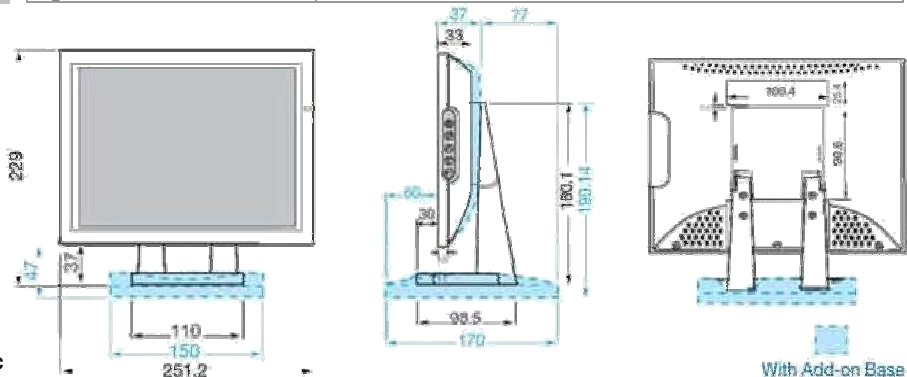
An outstanding POS monitor which everyone can afford

1. Full 10.4" Viewable Display Crisp Image
2. On Screen Display Easy to Use
3. Auto Scaling Function Simply i-touch
4. Base Wall Mountable with Tilt 90 degree Adjustment
5. Ideal for POS/Kiosk Users and Windows Application
6. Power Consumption 18W/3W DPMS
7. Lightest Weight 2.0kg



8. Specification:

Model	LP-10R series
Cabinet Color	Beige or Black
Display Size	10.4"
Optimal Resolution	800 x 600 SVGA
Color	262, 144
Viewing Angle	130 degrees (H); 100 degrees (V)
Response Time Tr/Tf	6/19 ms
Contrast Ratio	400 : 1
Brightness	250 cd/m ²
VGA Signal	R/G/B Andog VGA
Scan Frequencies	H: 31.5~48.1 KHz, V: 56~75Hz
Power	On/ Off with LED Indicator
OSD	OSD Control with "I-touch" auto scaling
Input	Universal AC 100~240V, 50/60 Hz
Output	DC +12V
Management	VESA DPMS Standard
Consumption	18W / 3W
Temperature	0°C ~ 40°C
Humidity	10% ~ 80%
Approvals	CE/ FCC/ CCC/ BSMI
Optional	Resistive RS-232 or USB



Birch is a trademark of Birch Technology U.S.A. Inc
All other products, brands or companies are trademarks or registered trademarks of their respective companies.

Specifications are subject to change without prior notice